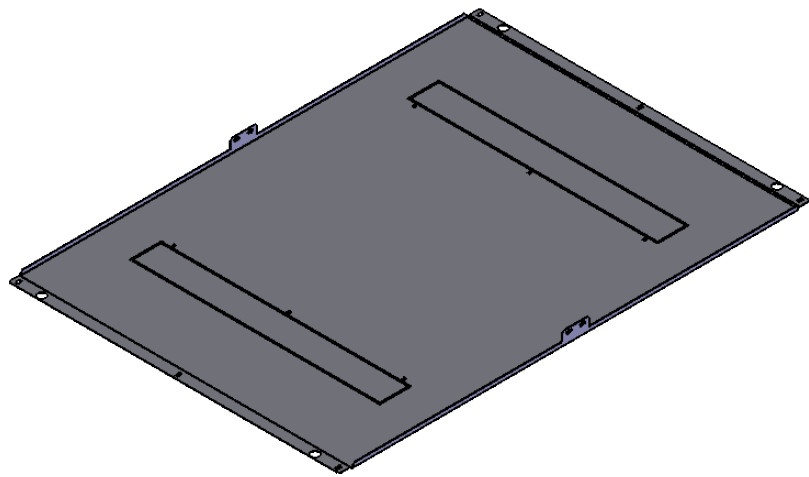
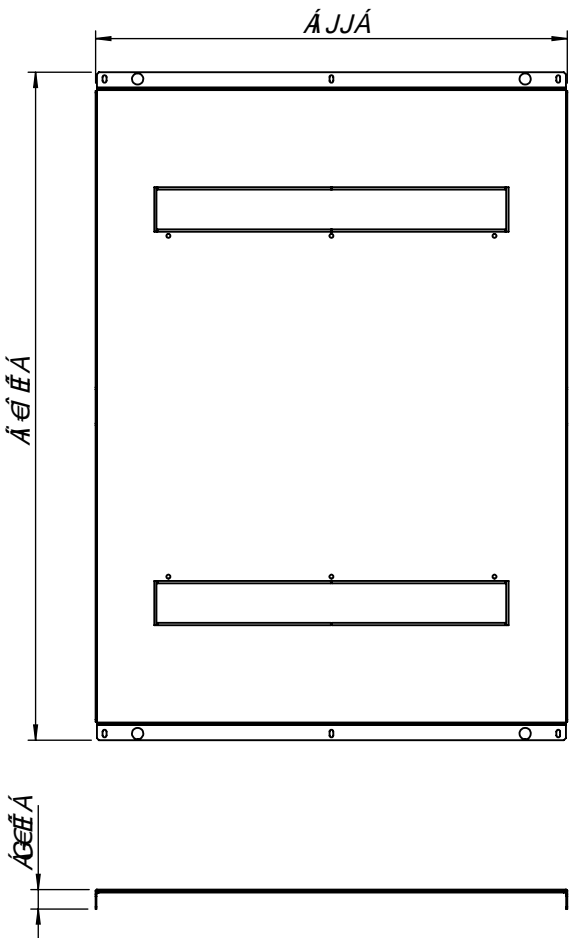


DFCDF-9H5FM5B8 7CB. 99RH5@
 58VH50F-C8-1H4B-8-DEFLICF5G5 N<C@K #KCI H4-9 K1H4B DPA 6G6B C.
 C@9H5@G5-DFC<4H8<
 DFCD-9H5FM5H5/5@F# <HGF90FJ98

DFCDF-98589 97CB. 99B7.5@8589
 58VH50F-C8-1H4B-8-DEFLICF5G5 N<C@K #KCI H4-9 K1H4B DPA 6G6B C.
 C@9H5@G5-DFC<4H8<
 DFCD-9H5FM5H5/5@F# <HGF90FJ98



<p>8YdUfHLa Ybhc XY Dfc^YVhc Dfc^YVW#8YdUfHa Ybh Dfc^Y_h5VhY]i b[</p>	<p>DFC>97HC. Dfc^YVW#Dfc^Y_h</p> <p>97CF57?</p> <p>: i bXc^XY', \$\$a a 'Ufa z]c' dUj]a Ybhc , \$\$a a 'Vchca 'VUg' Zccf WU]bYh</p>	<p>A5H9F-5@ K Yf_gczZ</p> <p>7\UdU XY U. c G.YYhg^Y^</p> <hr/> <p>HfUfHa Ybhc XY G dYfZM^Y G fZM^ :]b]g]b[#CVfZUW^Y. 5bhfUW^Y f]Ya Y\Ubh^ U F 5@- \$\$) t 5bhfUW^Y f]ja] Uf hc F 5@- \$\$) t</p>
<p>9G75@5. % %\$ HcXUg Ug X]a Ybg^ Yg Ya 'a a Wj a @A@ @A@ (</p> <p>BCA 9 85H5 BUa Y 8UH#8UH a</p> <p>DFC>97H58C. 8Yg] b Vm Dfc^Y_h</p> <p>89G9B<58C. 8fUk b Vm >7 && %& &\$% 6YUf^.</p> <p>: CFA5HC. G]hY# cfa Uh 5(</p>	<p>89G# B5uEC. 8Yg] bU]cb#6YbYbbi b[.</p> <p>8]a Ybg^ Yg [YfU]g ; YbYfU `X]a Ybg]cbg</p>	<p>89G9B<C B. 8fUk]b[B.#N^Bf.</p> <p>:]WU h^VW]W# HYVW]W^ g.YYh&@'97: I \$\$\$\$\$\$.</p> <hr/> <p>HC@9F aB7-5G; 9F 5-G D9CC. Hc YfU bWg 8-B'+%, Ia K Y] \h &+ (+'%\$ [f" 5 [Ya Y]bhc YfUbn. : Yk]W^h</p> <p>C6G9F J 5uE 9G 7ca a Ybhg 6Ya Yf_j b[.</p>