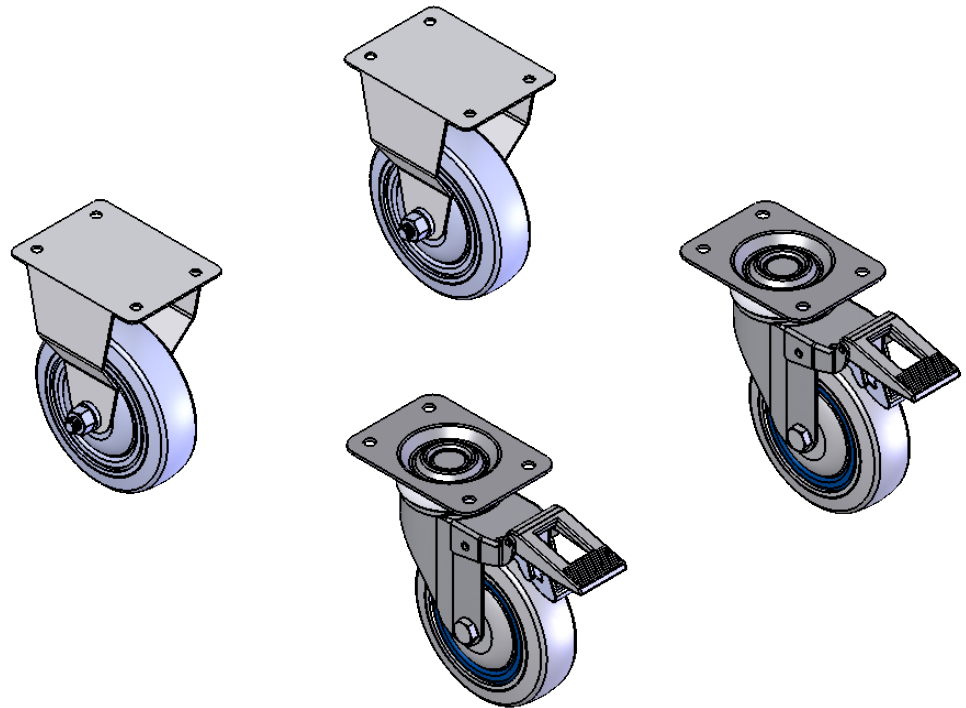
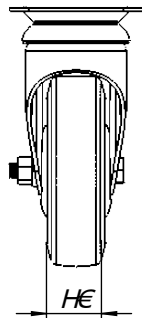
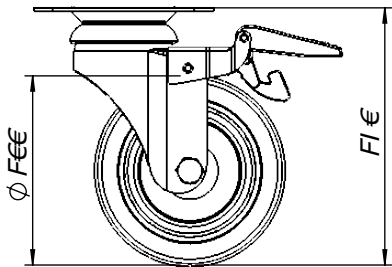
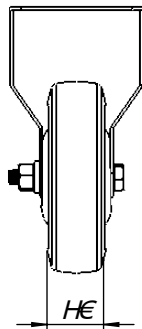
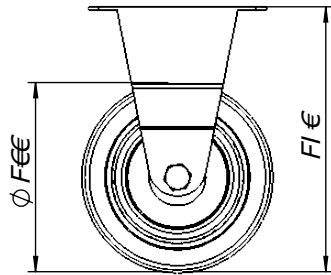


DFCDF-9H5FM588-7CB, 99B75@8589
 58VFE9FC8YH4B, 99DFHCF5G5N<C@K #KCIH49 KI4H9B DPA 6G6BC,
 C@9H9@G5, 6DFC<4H98
 DFCDF-9H5FM585/500F# -HGf90FJ98

DFCDF-9858997CB, 99B75@8589
 58VFE9FC8YH4B, 99DFHCF5G5N<C@K #KCIH49 KI4H9B DPA 6G6BC,
 C@9H9@G5, 6DFC<4H98
 DFCDF-9H5FM585/500F# -HGf90FJ98



olivettel s.a.

8YdUfHLa Ybrc XY Dfc^VWc
 Dfc^VW8YdUfHa Ybh
 Dfc^Y_h5VhY]i b[

9G75e5. % %\$ HcXUg UgXja Ybg YgYa 'a a
 Wj a@A03 @A4 (

BCA 9 85H5
 BLa Y 8UH#8UH a

DFC>97H58C.
 8Yg[b Vm
 Dfc^Y_h

89G9B<58C.
 8Fluk b Vm >7 &^!%8 &\$%
 6YUfV.

: CFA5HC. 5(

DFC>97HC.
 Dfc^VW#Dfc^Y_h

C@F57??

7cb^" (fcX]n]cg & %\$a a 'f&W# fFUj -cL
 G/H' (k \Y' g < %\$a a 'f&k # VFU_YL

89G# B5uEC.
 8Yg[bU]cb#6YbYbbi b[.

8]a Ybg' Yg [YfU]g
 ; YbYfU 'X]a Ybg]cbg

A5H9F-5@
 K Yf_gcZZ !

HfUfHa Ybrc XY G dYfZMfY
 G fZMf :]b]g]b[#CVfZUWfY.

! !

89G9B<C B.
 8Fluk]b[B,#N' Bf.
 :]WU]hYV6]W# HfVWb]W' g.YYh! '?+FC8%\$\$

HC@9F aB7-5G; 9F5-G D9CC.
 Hc YfUfWg K Y]Xh 8-B'+%, !a &' +_] 'f]cb^"L
 5 [Ya Y]brc YfUbn. ; Yk]Wf

C6G9F J 5uE 9G
 7ca a Ybhg
 6Ya Yf_j b[.