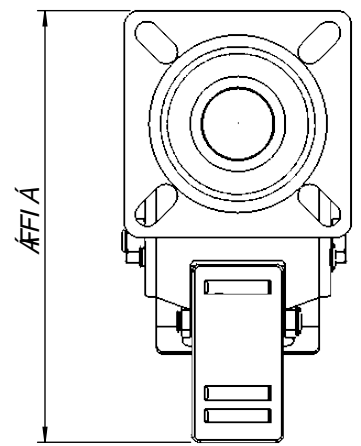
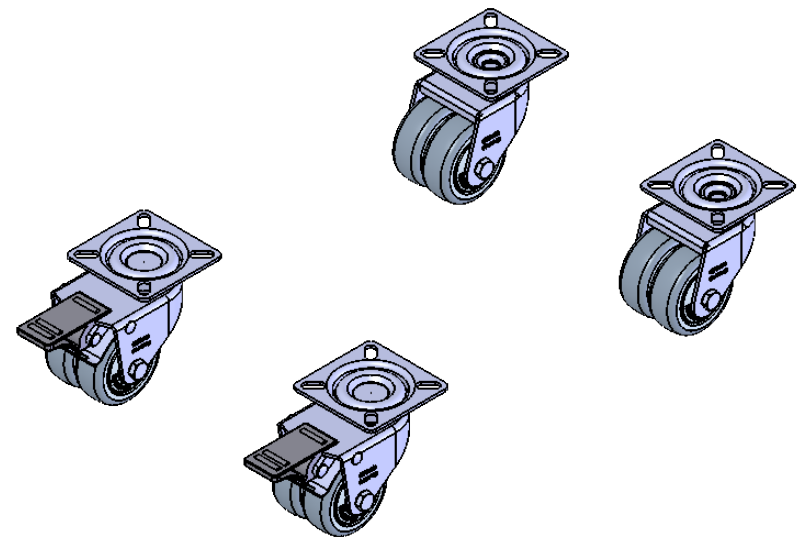
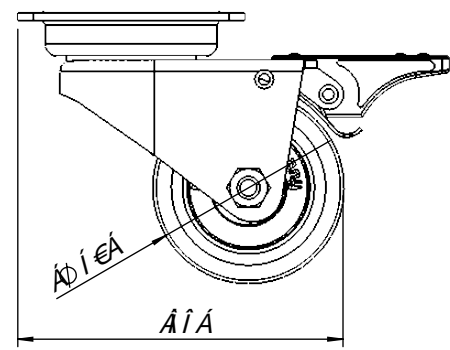
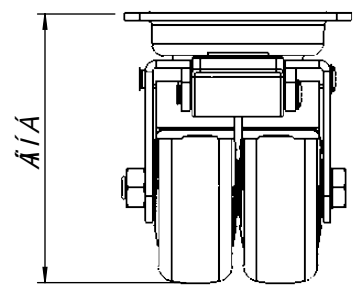




DFCDF-9H5FM588-7CB, 99H5@
 58H50F-C9-TH-BA-DEHFC-5G5N-C@K-4C1-TH-9-K-TH-9B-DFA-6G5C.
 C@9H5@G-4DFC-4H8
 DFCDF-9H5FM585/500F-#-HGf-90F-198

DFCDF-98589-9-7CB, 99B-5@8589
 58H50F-C9-TH-BA-DEHFC-5G5N-C@K-4C1-TH-9-K-TH-9B-DFA-6G5C.
 C@9H5@G-4DFC-4H8
 DFCDF-9H5FM585/500F-#-HGf-90F-198



 olivettel s.a. 8YdUfHLa Ybhc XY Dfc^YVhc Dfc^YVW8YdUfHa Ybh Dfc^Y_h5VhY]i b[DFC>97HC. Dfc^YVW#Dfc^Y_h C@F57? 7cb^i bhc XY (fcX]n]cg«) \$a a G^hcZ(k\YY'g«) \$a a	A5H9F-5@ K Yf_gcZZ ! HFUHLa Ybhc XY G dYfZM^Y G fZM^ :]b]g]b[#CVYfZU^W^Y. !
9G75e5. %) HcXUg UgX]a Ybg^YgYa 'a a Wj a^A103 @a14 (89G≠ B5uÈC. 8Yg[bU]cb#6YbYbbi b[. 8]a Ybg^ Yg [YfUjg ; YbYfU^ X]a Ybg]cbg	89G9B<C B. 8Fluk]b[B,#N^Bf. :]WU hfVb]W^ #^HYWb]W^ 'g.YYh!+HF(C8) \$ HC@9F aB7-5G; 9F5-G D9CC. HcYfUbwG 8-B^+%, !a K Y]Vh %)* ? ['7cb^M 5 [Ya Y]bhc YfUbn. : Yk]W^h C6G9F J 5uÈ 9G 7ca a Ybhg 6Ya Yf_j b[.
: CFA5HC. G]hY# cfa Uh 5(	*