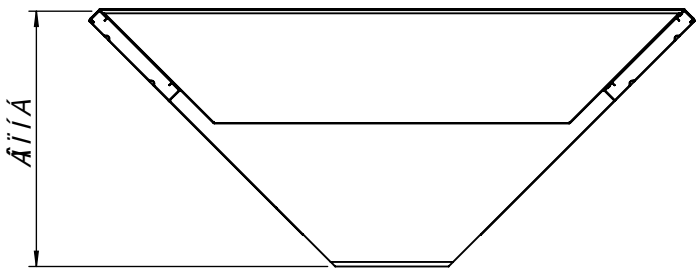
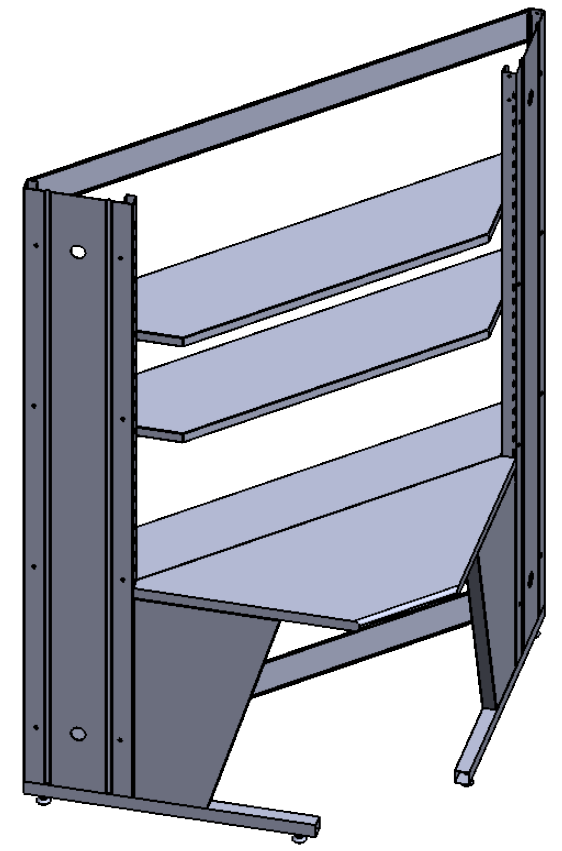
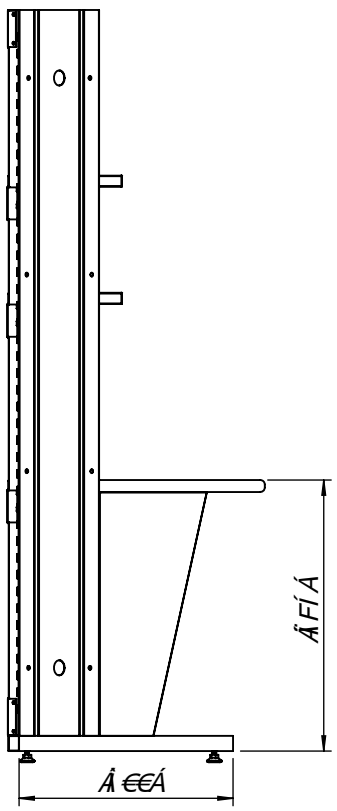
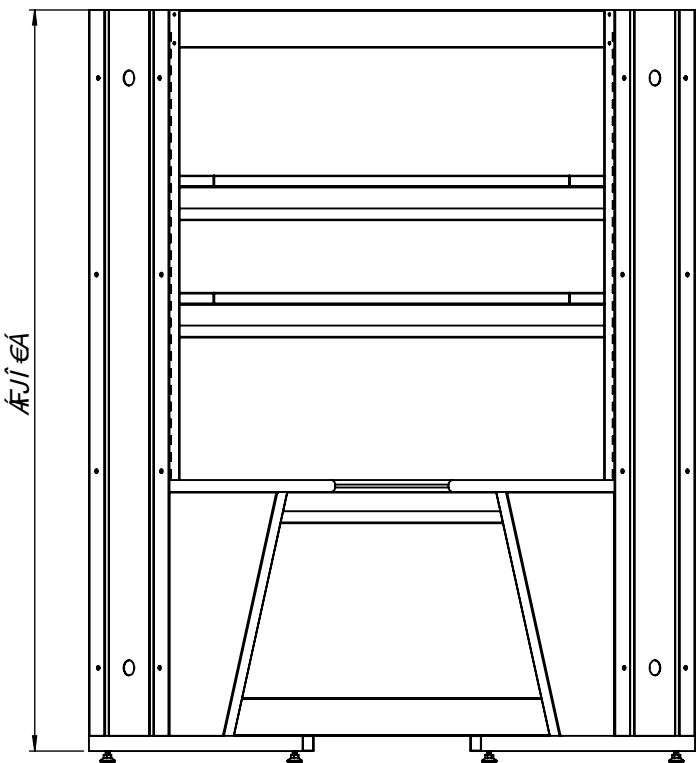
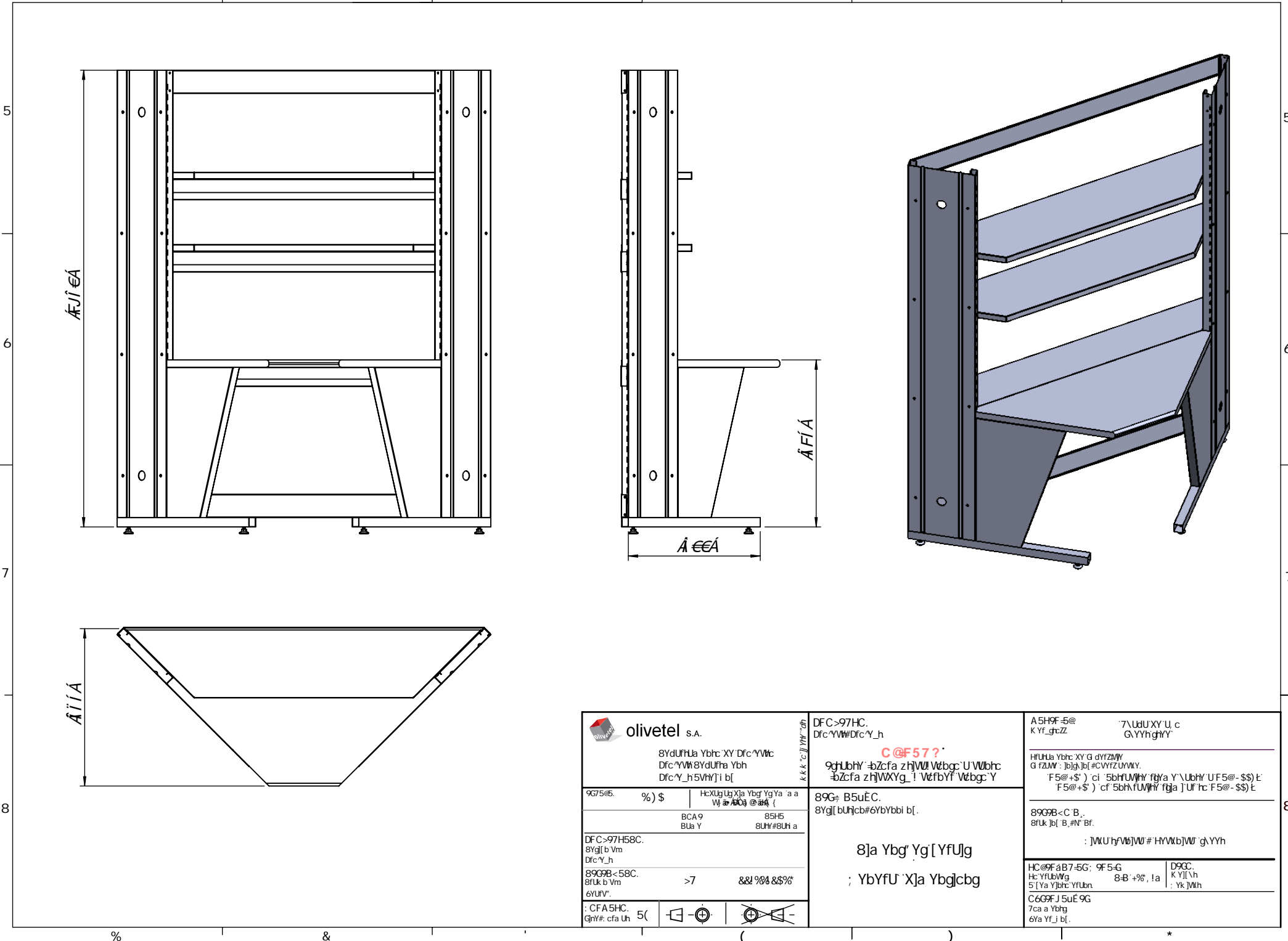


DFCDF-98589970CB - 89B75@8589  
 581F50F-C817H4CB-8P-DFH1CF-5G5N<C@K #KCH H#9 KI F#H9 D#A 6G6B.C.  
 C@9898G5 YDFC 6985  
 7CAI B758C 7CAC 09 F98C 9ADF 98F 5@ F90F J58C GCHC8CG 0G 8F9HCG

DFCDF-98589970CB - 89B75@8589  
 581F50F-C817H4CB-8P-DFH1CF-5G5N<C@K #KCH H#9 KI F#H9 D#A 6G6B.C.  
 C@9898G5 YDFC 6985  
 7CAI B758C 7CAC 09 F98C 9ADF 98F 5@ F90F J58C GCHC8CG 0G 8F9HCG



olivettel s.a. 8YdUfHLa Ybhc XY Dfc^YVhc Dfc^YVh 8YdUfHa Ybh Dfc^Y_h 5VhY[i b[		DFC>97HC. Dfc^YVh#Dfc^Y_h <b>C@F57?'</b> 9gHUbH^ #bZcfa z h]VW V#bgc U^VWbhc #bZcfa z h]WXYg_ ! V#fbYf V#bgc Y		A5H9F-5@ K Yf_gcZ 7\UdUXY' u c G YVhgY^Y	
9G75e5.    % ) \$    HcXUg Ug Xja Ybg Yg Ya 'a a Wj a#A03 @A4 (		89G# B5u€C. 8Yg[ bUh]cb#6YbYbbi b[.		HFURLa Ybhc XY G dYfZMY G fZM^ : ]b]g]b] #CVfZ U^WXY. 'F5@+' \$ ) ci '5bhFUMHY f]Ya Y\UbhY U'F5@-' \$\$ ) € 'F5@+' \$ ) cf '5bhFUMHY f]g]a ]Uf hc: F5@-' \$\$ ) €	
DFC>97H58C. 8Yg[ b Vm Dfc^Y_h		89G9B<58C. 8Fuk b Vm    >7    && %04 &S% 6YUfV'.		89G9B<C B . 8Fuk ]b[ B,#N' Bf. : ]WU hYVb]WV# H^VWb]WV g_Yyh	
: CFA5HC. G]hY# cfa Uh    5(    [ ] [ ] [ ] [ ]		8]a Ybg^ Yg [ YfU]g ; YbYfU^ X]a Ybg]cbg		HC@9F aB7-5G; 9F 5-G Hc YfUbWg    8-B'+% , la    D9CC. 5 [Ya Y]bhc YfUbn.    : Yk ]Wb	
: CFA5HC. G]hY# cfa Uh    5(    [ ] [ ] [ ] [ ]		: CFA5HC. G]hY# cfa Uh    5(    [ ] [ ] [ ] [ ]		C6G9F J 5u€ 9G 7ca a Ybhg 6Ya Yf_j b[.	