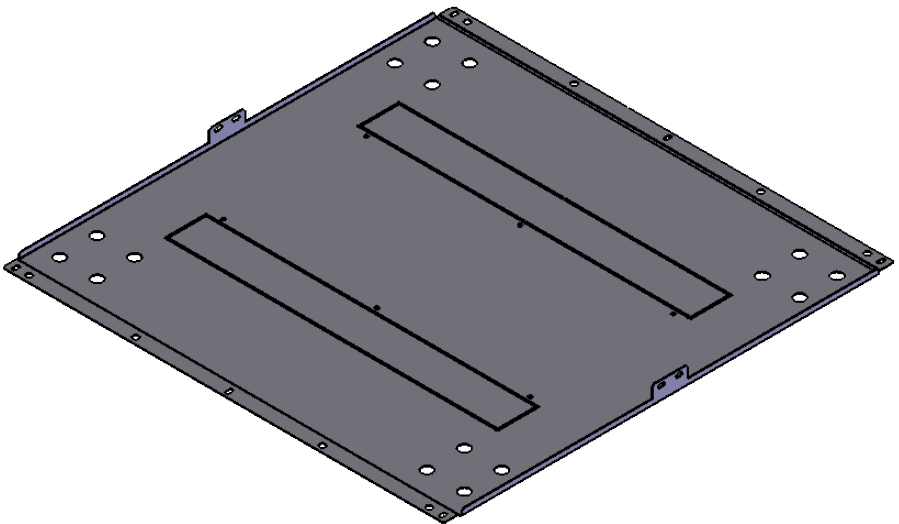
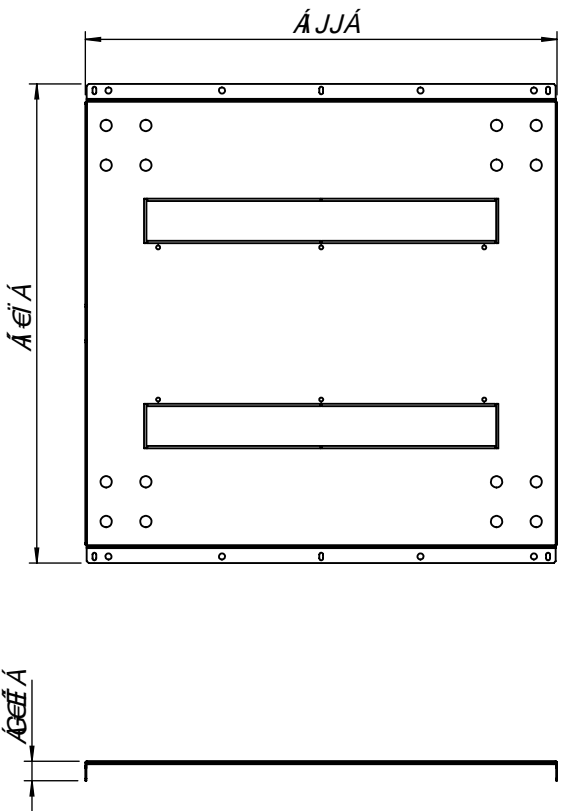


DFCDF-9H5FM588 7CB. 99B7.5@6589
 58H#50FC8H#B. B. D5H1CF5G5 N < C@K #<C1 H#<9 K F#H# D#A 6G6B.C.
 C@9H#G5. <D#C <6H#>
 DFCDF-9H5FM588/500F# <HGF90FJ98'

DFCDF-98589 9 7CB. 99B7.5@6589
 58H#50FC8H#B. B. D5H1CF5G5 N < C@K #<C1 H#<9 K F#H# D#A 6G6B.C.
 C@9H#G5. <D#C <6H#>
 DFCDF-9H5FM588/500F# <HGF90FJ98'



<p>olivettel s.a. 8YdUfHLa Ybhc XY Dfc^YVtc Dfc^YVW8YdUfha Ybh Dfc^Y_h5VhY[i b[</p>	<p>DFC>97HC. Dfc^YVW#Dfc^Y_h 97CF57?' : i bXc^XY * \$\$a a 'Ufa z]c^dUj]a Ybhc * \$\$a a 'Vc]tca 'VUg^ Zccf^VW]bYh</p>	<p>A5H9F-5@ K Yf_gcZZ '7\UdU^XY^U.c G^YVhgh^Y^</p>
<p>9G75e5. % %\$ HcXUgUgX]a Ybg^YgYa 'a a Wj a^A0a @aA (</p>	<p>89G# B5uÉC. 8Yg[bU]cb#6YbYbbi b[.</p>	<p>HfUfLa Ybhc XY G dYfZAWY G fZMW :]b]g]b[#CVfZU^W^Y. 5bh^UW]h^ f]g]a Y^Ubh^ U^F5@- \$\$) É '5bh^UW]h^ f]g]a]U^hc f5@- \$\$) É</p>
<p>DFC>97H58C. 8Yg[b Vm Dfc^Y_h 89G9B < 58C. 8Fuk b Vm >7 && %04 &\$% 6YUfV^.</p>	<p>8]a Ybg^ Yg[YfU]g ; YbYfU^ X]a Ybg]cbg</p>	<p>89G9B < C B. 8Fuk]b[B,#N^Bf. :]WU^h^V]W] #HYVW]W] g^YVh&0&^97: I \$\$\$\$\$\$*^</p>
<p>: CFA5HC. G]hY# cfa Uh 5(</p>		<p>HC@9FáB7-5G; 9F5-G Hc^YfU]bWg 5 [Ya Y]b]c^YfU]b. 8-B^+%,]a D9CC. K Y] \h %) \$", & [f" : Yk]W]h</p>