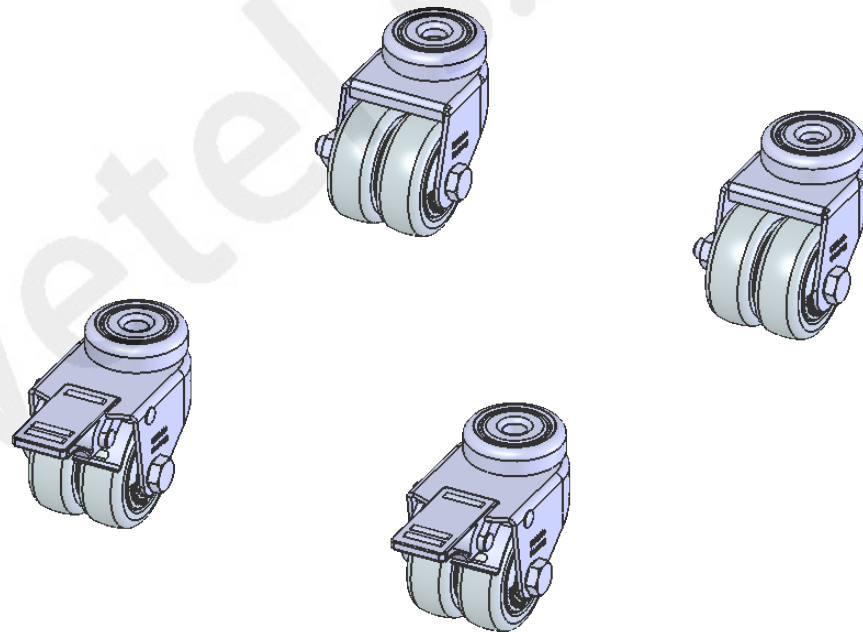
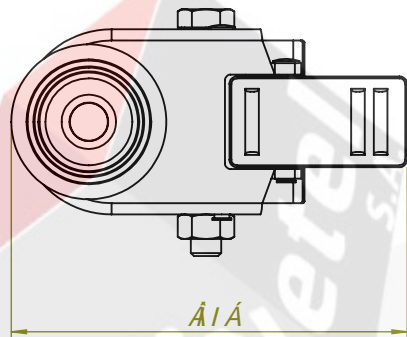
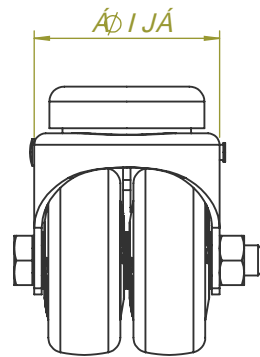
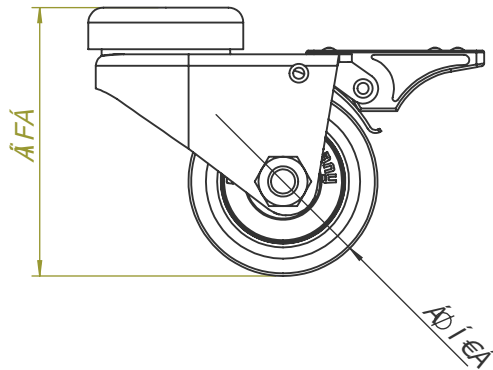




DFCDF-9H5FM588-7CB. 99H5@
 99H5@
 58V#50F-C8-1H4B-9-DEH1CF-5G5N<-C@K-4KCI-1H4B-9-KI-1H4B-DFA-6G6B-C.
 C@9H5@G5-4DFC<-4H8
 DFCDF-9H5FM588/500F-#<-HGF-909F-198

DFCDF-98589-9-7CB. 99B7-5@8589
 99B7-5@8589
 58V#50F-C8-1H4B-9-DEH1CF-5G5N<-C@K-4KCI-1H4B-DFA-6G6B-C.
 C@9H5@G5-4DFC<-4H8
 DFCDF-9H5FM588/500F-#<-HGF-909F-198



 <p>olivettel s.a.</p> <p>8YdUfHLa Ybrc XY Dfc^YVtc Dfc^YVh8YdUfHa Ybh Dfc^Y_h5VhY[i b]</p>	<p>DFC>97HC. Dfc^YVh#Dfc^Y_h</p> <p>97CF57?</p> <p>7cb^m ('fcX]n]cgXi d'cgV#«) \$a a Gyh (' Xci V^Y^k \YY'g«) \$a a</p>	<p>A 5H9F-5@ K Yf_gtcZZ</p> <p>! :</p> <p>HfUfHa Ybrc XY G dYfZM^Y G fZM^Y :]b]g]b] #CvYfZU^V^Y.</p> <p>! :</p>										
<p>9G75e5. %)</p> <table border="1"> <tr> <td>BCA 9</td> <td>85H5</td> </tr> <tr> <td>BUa Y</td> <td>8UH#8UH a</td> </tr> </table> <p>DFC>97H58C. 8Yg] b Vm Dfc^Y_h</p> <p>89G9B<58C. 8Fuk b Vm >7 &!%&&\$% 6YUfV.</p> <p>: CFA5HC. G]hY# cfa Uh 5(</p> 	BCA 9	85H5	BUa Y	8UH#8UH a	<p>89G9 B5uE.C. 8Yg] bU]cb#6YbYbbi b[.</p> <p>8]a Ybg' Yg [YfU]g ; YbYfU^ X]a Ybg]cbg</p>	<p>89G9B<C B. 8Fuk]b[B,#N^Bf.</p> <p>:]WU^hVb]WU^#HYWb]WU^g^Yh&?&'97?F& (\$) \$\$\$</p> <table border="1"> <tr> <td>HC@9FáB7-5G; 9F-5-G</td> <td>D9CC.</td> </tr> <tr> <td>Hc^YfU^Wg</td> <td>K Y] \h , , ' "&' [f"</td> </tr> <tr> <td>5 [Ya Y]brc YfUbn</td> <td>8-B^+%, !a : Yk]W^h</td> </tr> </table> <p>C6G9F J 5uE 9G 7ca a Ybhg 6]a Yf_j b].</p>	HC@9FáB7-5G; 9F-5-G	D9CC.	Hc^YfU^Wg	K Y] \h , , ' "&' [f"	5 [Ya Y]brc YfUbn	8-B^+%, !a : Yk]W^h
BCA 9	85H5											
BUa Y	8UH#8UH a											
HC@9FáB7-5G; 9F-5-G	D9CC.											
Hc^YfU^Wg	K Y] \h , , ' "&' [f"											
5 [Ya Y]brc YfUbn	8-B^+%, !a : Yk]W^h											