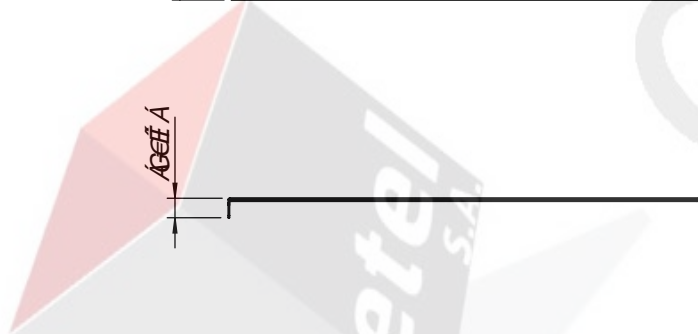
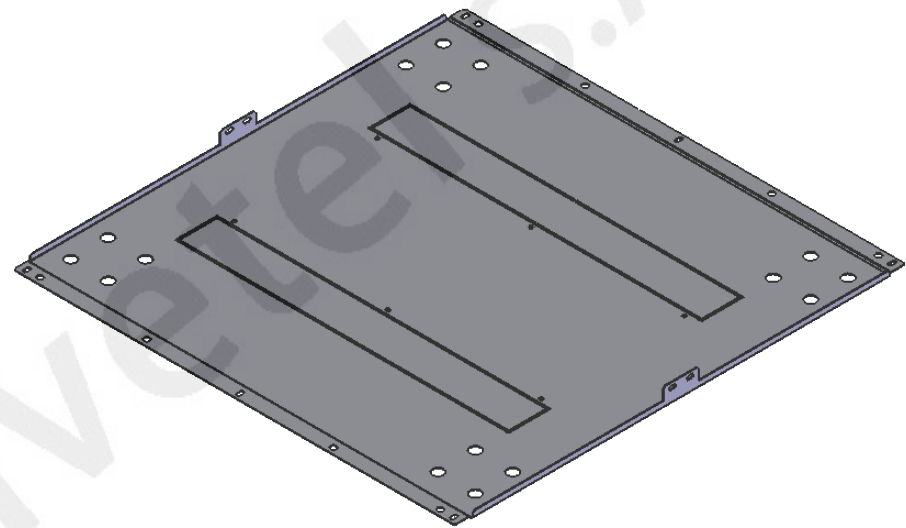
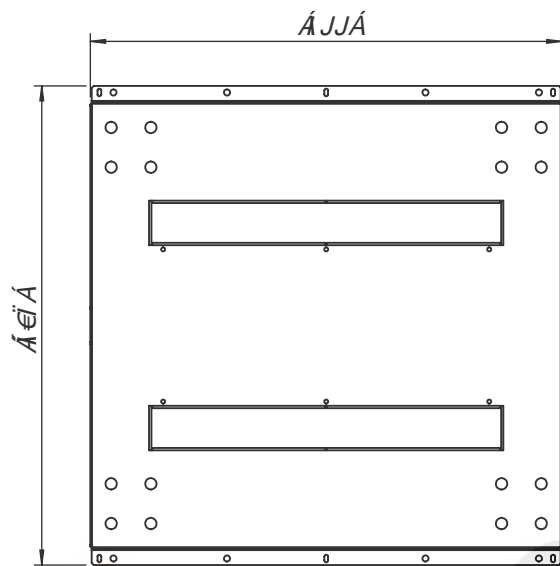




DFCDF-9H5FM5B8 7CB. 89BH5@  
 58VH50F-CB-THZB-8-DEHICF5G5N<C@K #KCHH<9 KFH4B DPA 6G6B.C.  
 C@9H9@G- GDFC<6H88  
 DFCD 9H5FM5H5/5@F# -HGf90FJ98

DFCDF-98589 97CB. 89B7.5@8589  
 58VH50F-CB-THZB-8-DEHICF5G5N<C@K #KCHH<9 KFH4B DPA 6G6B.C.  
 C@9H9@G- GDFC<6H88  
 DFCD 9H5FM5H5/5@F# -HGf90FJ98



 <p><b>olivettel s.a.</b>          8YdUfHLa Ybhc XY Dfc^YVtc          Dfc^YVW8YdUfha Ybh          Dfc^Y_h5VhY[i b[</p>	<p>DFC&gt;97HC.          Dfc^YVW#Dfc^Y_h  <b>97CF57?</b>          : i bXc^XY * \$\$a a 'Ufa z]c^dUj ]a Ybhc          * \$\$a a 'Vctca 'VUg' Zccf^VW]bYh</p>	<p>A 5H9F-5@          K Yf_gczZ</p> <p>'7\Ud^XY'U. c          G^YVhgWY'</p> <p>HfUfLa Ybhc XY G dYfZM^Y          G fZM^ : ]b]g]b] #CvYfZU^W^Y.          5bhfUW^h^ f]g]a Y^Ubh^ U^F5@- \$\$) L          '5bh^fUW^h^ f]g]a ]U^hc^ F5@- \$\$) L</p>
<p>9G75@5.      % %\$      HcXUg UgX]a Ybg^YgYa 'a a          Wj @ 800 @ 800 (</p> <p>BCA 9      85H5          BUa Y      8UH#8UH a</p> <p>DFC&gt;97H58C.          8Yg]b Vm          Dfc^Y_h</p> <p>89G9B&lt;58C.          8fUk b Vm      &gt;7      &amp;&amp; %04 &amp;\$%          6YUW'</p> <p>: CFA5HC.          G]hY# cfa Uh 5(</p> 	<p>89G≠ B5uÉC.          8Yg]bUh]cb#6YbYbbi b[.</p> <p><b>8]a Ybg^ Yg[ YfUg</b>          ; YbYfU^ X]a Ybg]cbg</p>	<p>89G9B&lt;C B.          8fUk ]b[ B.#N^Bf.</p> <p>: ]WU h^VW]W # HYVW]W^ g^YVh^0&amp;^97: I \$\$\$\$\$\$*</p> <p>HC@9F aB7-5G; 9F 5-G      D9CC.          Hc^YfUWg      8-B^+%, ]a      K Y]Vh      %) \$", &amp; [ f"          5 [Ya Y]b]c^ YfUbn.      : Yk ]W^h</p> <p>C6G9F J 5uÉ 9G          7ca a Ybhg          6Ya Yf_j b[.</p>