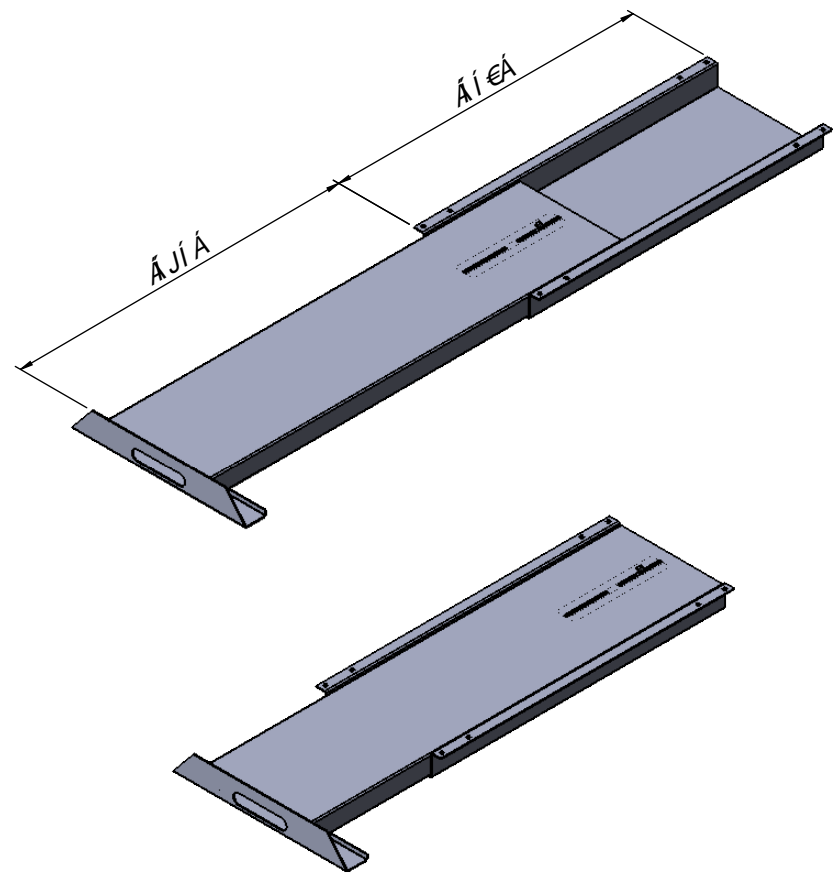
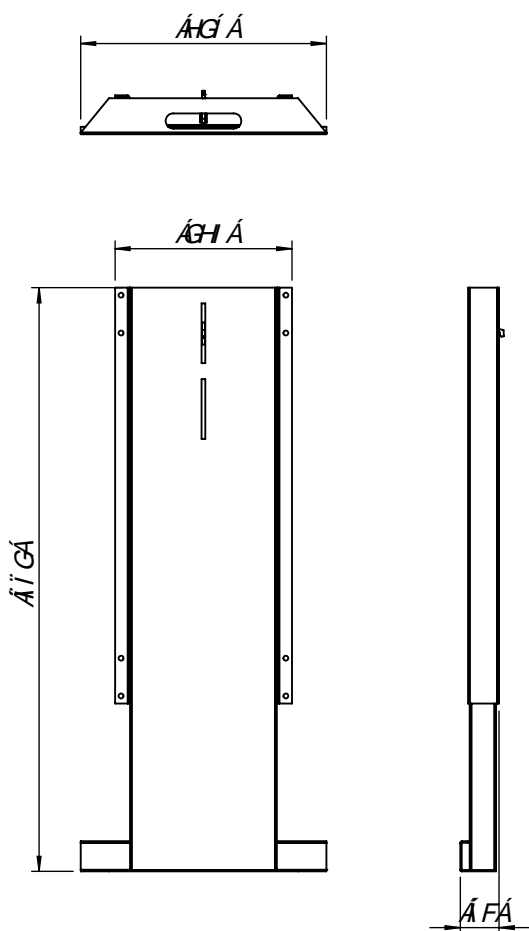



DFCDF-9H5FM5B8 7CB. 99B7.5@6589
 99B7.5@6589
 58VH50FC8H4B. 99B7.5@6589
 C@9H9@G5. DFC 6485
 DFCDF-9H5FM5B8/500F-# -HGf90F798

DFCDF-98589 97CB. 99B7.5@6589
 99B7.5@6589
 58VH50FC8H4B. 99B7.5@6589
 C@9H9@G5. DFC 6485
 DFCDF-98589 97CB. 99B7.5@6589



 olivettel s.a. 8YdUfHLa Ybrc XY Dfc^VWc Dfc^VW#8YdUfHa Ybh Dfc^Y_h5VhY[i b[DFC>97HC. Dfc^VW#Dfc^Y_h C@F57? 9H ybgcf Ufa z fJcgdfcZ", \$Sa a dUfUbj] Y UX" 9H ybgcf VUW]bYhgXYdR", \$Sa a Zc^ Yj Y^Yfg	A5H9F-5@ K Yf_gcZZ 7\UdU XY U c G.YYhgY^Y
9G75e5. (%) \$ HcXUg Ug Xja Ybg Yg Ya 'a a Wj a@A@a @aA (89G# B5uE.C. 8Yg[bUhc b#6YbYbbi b[.	HFUfLa Ybrc XY G dYfZM^Y G fZM^Y :]b]g]b[#CVfZUW^Y. F5@+ \$) ci '5bhU^H^Y f]gYa Y^Ubh^Y U F5@- \$\$) t F5@+ \$) cf '5bh^fU^H^Y f]gYa] Uf hc F5@- \$\$) t
DFC>97H58C. 8Yg[b Vm Dfc^Y_h 89G9B<58C. 8Fluk b Vm 6YUfV". : CFA5HC. GjnY# cfa Uh 5(8]a Ybg' Yg [YfU]g ; YbYfU' X]a Ybg]cbg	89G9B<C B. 8Fluk]b[B,#N^Bf. :]WU^h^Vb]W] # HYWb]W] g.YYh!9LHD, "B=J 9@58 HC@9F aB7-5G; 9F 5-G Hc YfU^Wg 5 [Ya Y]brc YfUbn. 8-B^+%, !a D9CC. K Y] \h %%, *- "(+ [f" : Yk]W^h C6G9F J 5uE 9G 7ca a Ybhg 6Ya Yf_j b[.