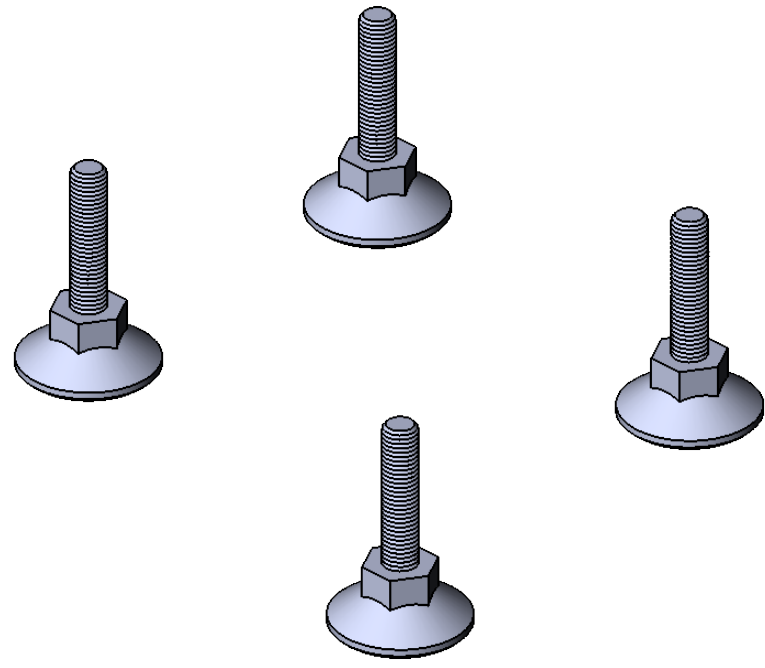
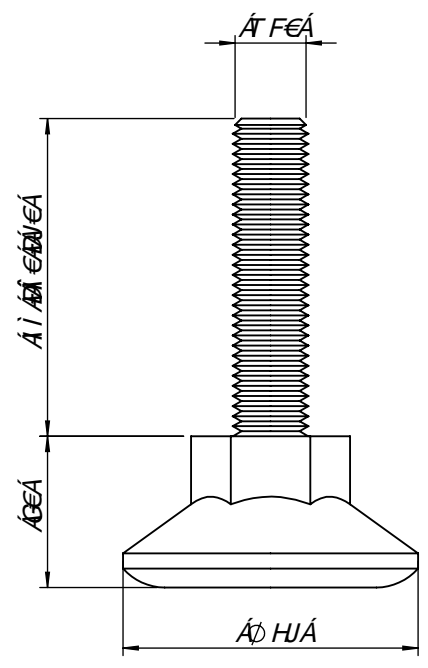



DFCDF-9H5FM5B8-7CB. -99H45@
 5BVF5QF-C8-7H4CB-9-DFH1CF-5G5N<-C@K-4<Cl-7H<-9-K-7H4H8-DFA-6G6B-C.
 C@9H9@G-6DFC<4H8*
 DFCD-9H5FM5B8/5@F#-HGf-90FJ98*

DFCDF-98589-9-7CB. -99B7-5@8589
 5BVF5QF-C8-7H4CB-9-DFH1CF-5G5N<-C@K-4<Cl-7H<-9-K-7H4H8-DFA-6G6B-C.
 C@9H9@G-6DFC<4H8*
 DFCD-9H5FM5B8/5@F#-HGf-90FJ98*



 <p>olivettel s.a.</p> <p>8YdUfHLa Ybrc XY Dfc^VWc Dfc^VW#8YdUfHa Ybh Dfc^Y_h5VhY]i b[</p>	<p>DFC>97HC. Dfc^VW#Dfc^Y_h</p> <p>C@F57?*</p> <p>7cb^"XY" (b] Y^UXcfYgd# 6UghXcf DUj]a Ybrc GYhcZ (^Y Y^YfgZcf Zccf gUbX]b[^VW]bYh</p>	<p>A5H9F-5@ K Yf_gcZ</p> <p>HfUfLa Ybrc XY G dYfZM Y G fZM W :]b]g]b[#cVfZUVW Y.</p>
<p>9G75@5. %) \$ HcXUg Ug X]a Ybg^ Yg Ya 'a a Wj a^ A B C @ # \$ % ^ & * ' ()</p> <p>BCA 9 85H5 BUa Y 8UH#8UH a</p>	<p>89G# B5uE.C. 8Yg[bU]cb#6YbYbbl b[.</p>	<p>89G9B<C B. 8Fuk]b[B,#N^Bf.</p> <p>:]WU^hVb]W#HYWb]W g.YYh! B-] 9@58CF"5D7</p>
<p>DFC>97H58C. 8Yg[b Vm &*!%&&\$% Dfc^Y_h</p> <p>89G9B<58C. 8Fuk b Vm >7 &*!%&&\$% 6YUfV."</p> <p>: CFA5HC. G]h# cfa Uh 5(⊕ ⊗</p>	<p>8]a Ybg^ Yg [YfUj ; YbYfU^ X]a Ybg]cbg</p>	<p>HC@9F aB7-5G; 9F 5-G D9CC. Hc YfUbwg 8-B^+% ,]a K Y]Vh \$"" ?['7cb^" 5 [Ya Y]brc YfUbn. : Yk]Wh</p> <p>C6G9F J 5uE 9G 7ca a Yb]g 6Ya Yf_j b[.</p>